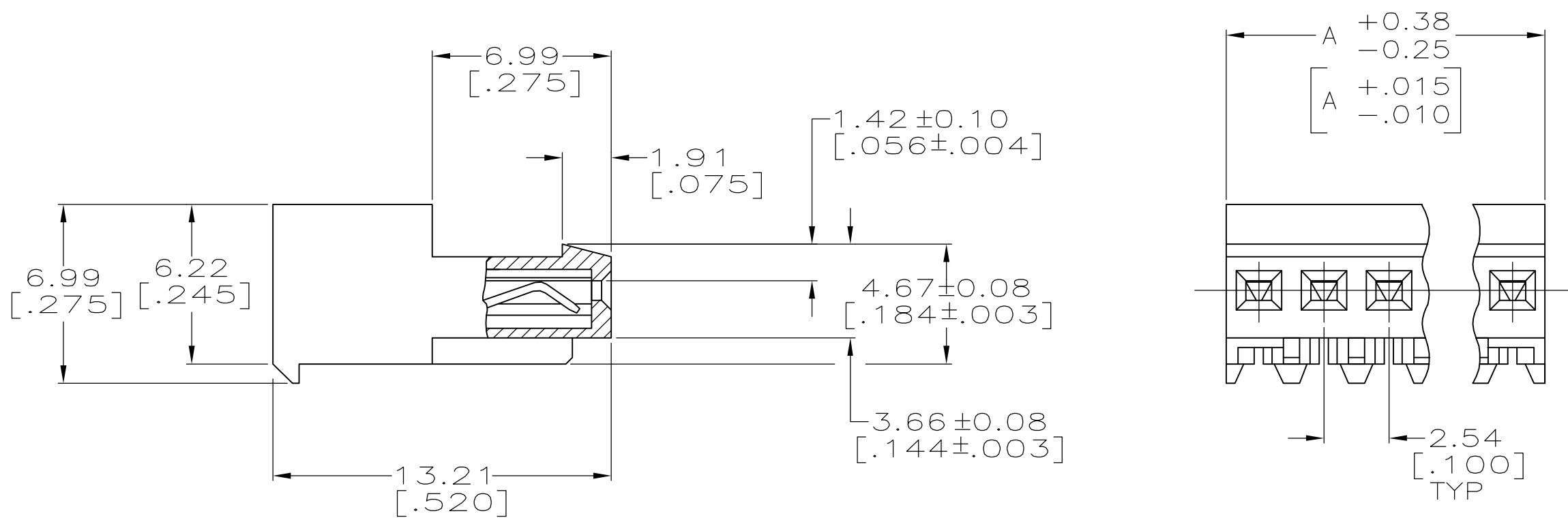
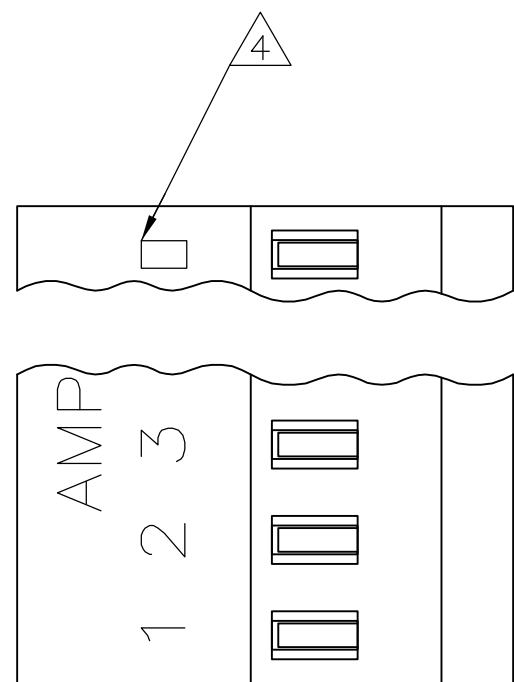


THIS DRAWING IS UNPUBLISHED. RELEASED FOR PUBLICATION
 © COPYRIGHT BY TYCO ELECTRONICS CORPORATION. ALL RIGHTS RESERVED.

LOC		DIST		REVISIONS			
P	LTR	DESCRIPTION		DATE	DWN	APVD	
B		REVISION PER ECO-07-003727		23FEB07	KW	DB	



△ MATERIAL: CONNECTOR-NYLON UL94V-0 (BLACK).
 CONTACTS-0.30 [.012] THICK COPPER ALLOY
 BRIGHT TIN-LEAD 0.00203 [.000080] MIN THICK FOR CONTACTS
 644574-2 THRU 1-644574-5
 MATTE WHISKER MITIGATED TIN PLATE 0.00203 [.000080] MIN THICK
 OVER 0.00076 [.000030] MIN THICK NICKEL FOR CONTACTS
 3-644574-2 THRU 4-644574-5

- CONTACTS ACCEPT 24 AWG WIRE WITH 1.52 [.060] MAX INSULATION DIAMETER.
- CONTACTS MUST ACCEPT 0.64±0.03 [.025±.001] SQUARE POST AND REMAIN LOCKED IN POSITION.
- △ IDENTIFICATION NUMBER FOR LAST CIRCUIT MAY NOT APPEAR ON ALL ASSEMBLIES.
- DIMENSIONS IN BRACKETS ARE IN INCHES.
- HOUSING FEATURES ARE: CLOSED END WITH LOCKING RAMP.

LEAD	FREE		
	DIM A	NO. OF POSN	ASSEMBLY
	38.10 [1.500]	15	4-644574-5
	35.56 [1.400]	14	4-644574-4
	33.02 [1.300]	13	4-644574-3
	30.48 [1.200]	12	4-644574-2
	27.94 [1.100]	11	4-644574-1
	25.40 [1.000]	10	4-644574-0
	22.86 [.900]	9	3-644574-9
	20.32 [.800]	8	3-644574-8
	17.78 [.700]	7	3-644574-7
	15.24 [.600]	6	3-644574-6
	12.70 [.500]	5	3-644574-5
	10.16 [.400]	4	3-644574-4
	7.62 [.300]	3	3-644574-3
	5.08 [.200]	2	3-644574-2
CONTAINS LEAD			
	DIM A	NO. OF POSN	ASSEMBLY
	38.10 [1.500]	15	1-644574-5
	35.56 [1.400]	14	1-644574-4
	33.02 [1.300]	13	1-644574-3
	30.48 [1.200]	12	1-644574-2
	27.94 [1.100]	11	1-644574-1
	25.40 [1.000]	10	1-644574-0
	22.86 [.900]	9	644574-9
	20.32 [.800]	8	644574-8
	17.78 [.700]	7	644574-7
	15.24 [.600]	6	644574-6
	12.70 [.500]	5	644574-5
	10.16 [.400]	4	644574-4
	7.62 [.300]	3	644574-3
	5.08 [.200]	2	644574-2

METRIC

THIS DRAWING IS A CONTROLLED DOCUMENT.

DIMENSIONS: mm [INCHES]	TOLERANCES UNLESS OTHERWISE SPECIFIED: 0 PLC ± 1 PLC ± 2 PLC ± 0.13 [.005] 3 PLC ± 4 PLC ± ANGLES ± FINISH △	DWN S. HOOVER 03-DEC-2004 CHK D. BOSSI 03-DEC-2004 APVD D. BOSSI 03-DEC-2004	tyco Electronics Tyco Electronics Corporation Harrisburg, Pa 17105-3608
		PRODUCT SPEC 108-1050 APPLICATION SPEC 114-1019	NAME MTA .100 CONNECTOR ASSEMBLY 24 AWG, UL94V-0, SPECIAL
MATERIAL △		WEIGHT CUSTOMER DRAWING	SIZE A2 CAGE CODE 00779 DRAWING NO. G=644574 RESTRICTED TO
			SCALE 5:1 SHEET 1 OF 1 REV B